

High Performance, Low Cost.

A Simple, Reliable RO Pressure Switch.

Removable Watertight Connector:

- Removable connector makes switch installation easier.
- Connector rotates 360° (in 90° increments) to make wiring easier.
- Watertight seal protects connections.

Rugged Construction:

- Brass body,
- 350 psi Proof Pressure,
- Stainless Steel Spring and Hex Screw.

Adjustable Pressure: 5-30 psi (preset at 8 psi). Intended for use as an inlet pressure switch.

Assembled Switch.



PS-2 Specifications

Pressure Specs

Actuation Point	5-30 psi (adjustable)
Average Differential	1 - 2.5 psi
Max Overpressure	350 psi

Wetted Parts

Body	Brass
Diaphragm	Nitrile

Non - Wetted Parts

Body	PA
Spring	Stainless Steel
Adjusting Screw	3/32 hex. SS

Process Connection 1/4" NPT

Electrical

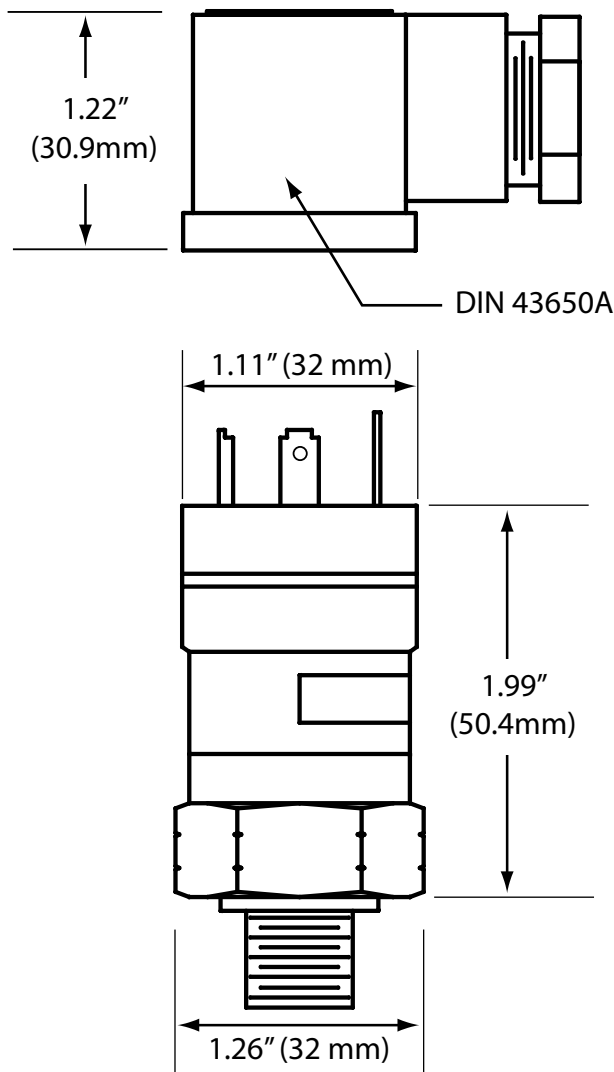
Switch Form	SPDT
Contact Type	Silver Alloy
Current Capacity	5A 12/24VDC, 125 VAC 3A 250 VAC

Mechanical Range

1 million cycles

Wiring

Common	DIN Pin 1
Normally Closed	DIN Pin 2
Normally Open	DIN Pin 3

PS-2 Dimensions (shown actual size)**About "Normal"**

The "normal" state of a switch is often a source of confusion. For a pressure switch, the "Normal" state is the state of the switch at "normal" or atmospheric pressure. The PS-2 is wired for both normally-open and normally closed operation. For use with I-Controls RO controllers, the switch should be used with the Normally-Open connections.

About Hysteresis or Dead-band

The differential of the PS-2 varies from 1 - 2.5 psi over the 5-30 psi range. The PS-2 is factory set for 8 psi falling. With this setting, the switch Opens at 8 psi. On rising pressure the switch will close at 9-10 psi. If the switch is reset for a higher actuation point, the deadband will increase proportionally.

Switch Adjustment

NOTE: To access the pressure adjustment, the wiring must be disconnected from the switch.

- 1) Pressurize the switch to the desired setting.
- 2) Insert a 3/32" allen key through the opening in the top center of the switch.
- 3) Turn the allen key clockwise to increase the set-point. (Approximately 3 psi per complete turn.)
- 4) Operate the switch through the intended range and make adjustments as needed.
- 5) Reconnect the wiring (DIN connector).

PS-2 Pricing

The OEM price for the PS-2 is \$37 each. Price includes the DIN connector.